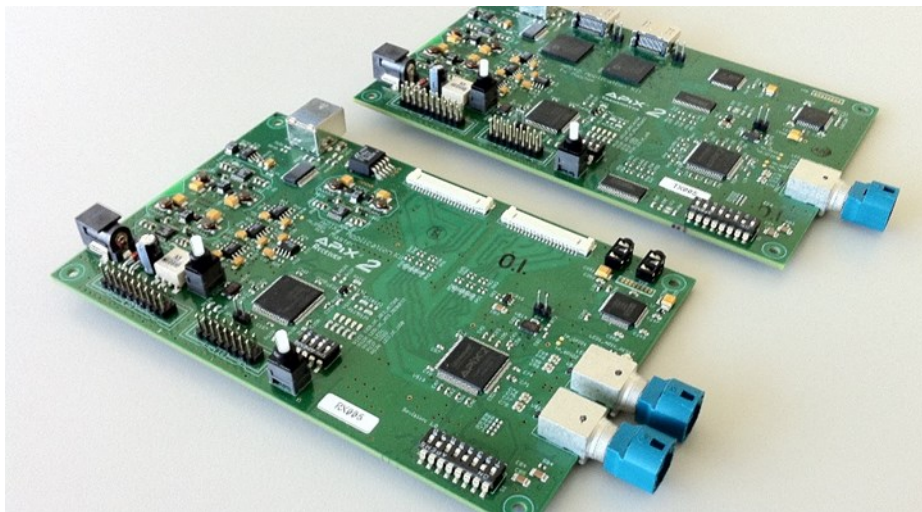


## INAP375T, INAP375R, INAP395R APIX2 Demonstration Kit

### FEATURES

- HD 720p video resolution
- Two independent video streams
- Full duplex data communication
- CRC protected data transfer (AShell)
- Ethernet support
- Daisy chaining support
- Power over APIX



### APPLICATIONS

- Central Information Displays
- Instrument Clusters
- Rear-Seat Infotainment Systems
- Head-Up Displays
- Lane Departure Warning
- Occupancy Detection
- Sign Recognition Camera
- Blind Spot Detection
- Round View Systems
- Rear View Camera

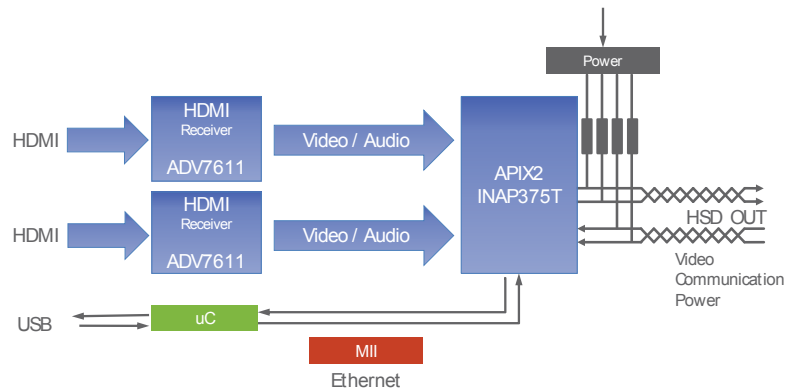


FAST DATA TRANSMISSION FOR INFOTAINMENT AND ADVANCED DRIVER ASSISTANCE SYSTEM

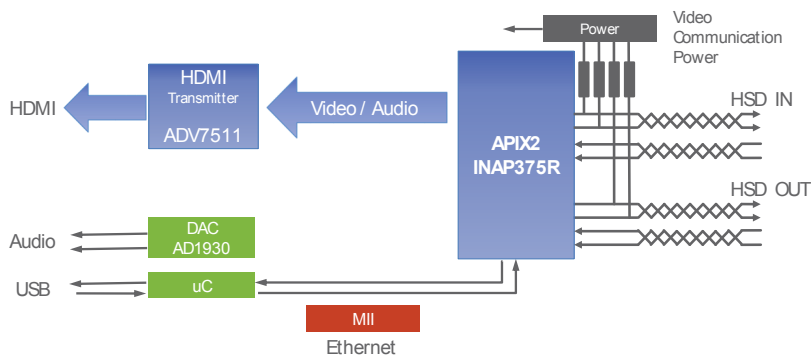
**SPEED UP YOUR DATA.**

### TRANSMITTER BOARD

- Video Resolution: up to 720p and 1600 × 600 Automotive Display
- Video Interfaces: 2 × HDMI/DVI
- USB interface to PC
- HSD Connector



**PART NUMBER: APIX2\_ADK\_TX**



**PART NUMBER:**  
**APIX2\_ADK\_RX\_HDMI** (HDMI output)  
**APIX2\_ADK\_RX** (2 × LVDS output)  
**APIX2\_ADK\_INAP395R** (HDCP support, HDMI output)

### RECEIVER BOARD

- Video Resolutions: up to 720p and 1600 × 600 Automotive Display
- Video Interfaces: 1 × HDMI or optional
- 2 × openLDI/LVDS
- USB Interface to PC
- HSD Connector
- Daisy Chain Support
- Prepared for Power over APIX Link (PoA)

### ETHERNET BOARD

- Extender with 100Mbit Port switch and 2 RJ45 Ethernet Connectors
- PART NUMBER: APIX2\_ADK\_ETH**

### I/O EXTENDER BOARD

- Extender with PIN Headers for full access to INAP375x devices
- PART NUMBER: APIX2\_ADK\_TX\_EXT**

### SET CONTENT

- Transmitter or Receiver Board
- Power Supply, 5 m STP cable (HSD)
- 2 m USB cable
- Schematics, Layout, Documentation
- APICO Software

FAST DATA TRANSMISSION FOR INFOTAINMENT AND ADVANCED DRIVER ASSISTANCE SYSTEM