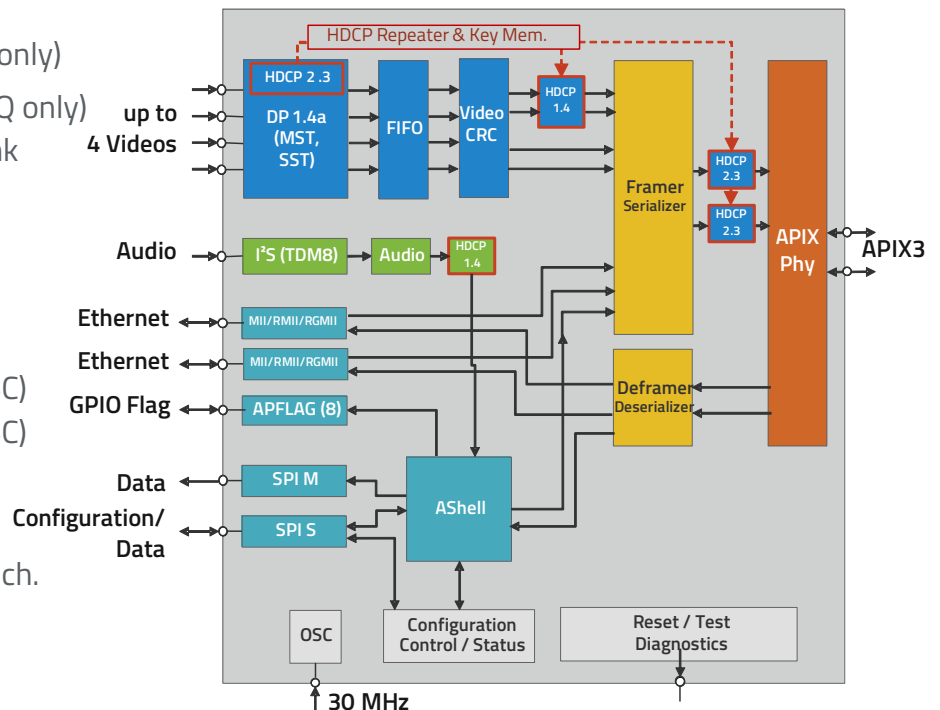


INAP567T, INAP597T

APIX3 Twin Transmitter with DisplayPort™ MST and repeater support

FEATURES

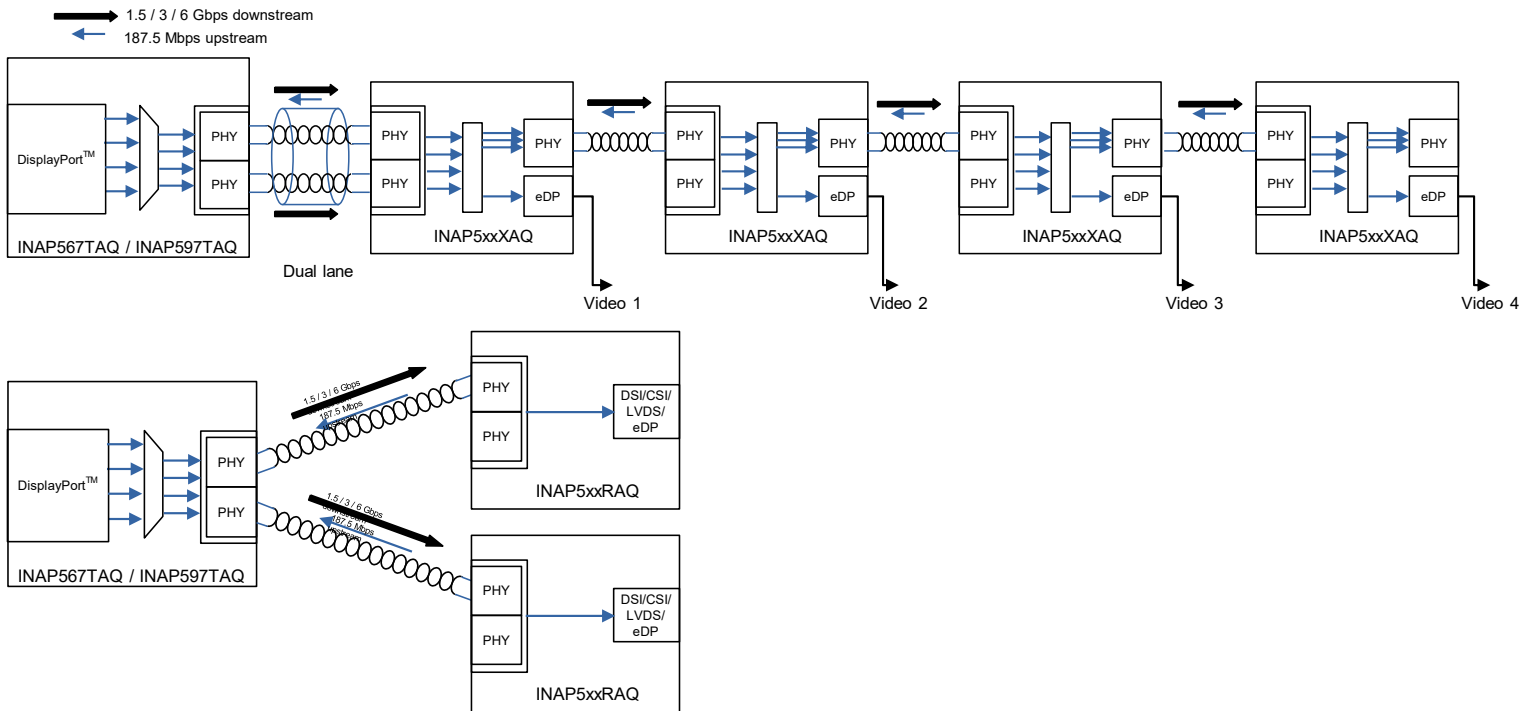
- Physical Layer
 - 6, 3 or 1.5 Gbps downstream
 - Support of 12 Gbps dual lane link
 - Or twin 6+6 / 3+3 / 1.5 + 1.5 Gbps
 - 187.5Mbps upstream
 - Automatic link training
- Support for up to 4 video channels with 2 receivers or up to 4 repeater devices
- Supports STP, QSTP or Coax cables
- DisplayPort™ 1.4a interface supporting
 - 4 lanes HBR/HBR2 (2.7/5.4 Gbps lanes)
 - Multi-stream Transport (MST) - 4 videos
 - Single Stream Transport (SST)
 - up to 360 MHz pixel clock per video
 - RGB only
 - Aux Channel (1 Mbps)
 - HDCP2.3 over DP™ (INAP597TAQ only)
- HDCP repeater support (INAP597TAQ only)
 - HDCP2.3 and HDCP1.4 at APIX3 link
 - HDCP1.4 at APIX2 link
- Support for VESA DSC tunneling
- Video resolution examples (typical)
 - 2x 2880x1080 24bit @60Hz
 - 3840x2160x30 bit @60 Hz (via DSC)
 - 7840x2160x30 bit @60 Hz (via DSC)
 - Video integrity support
- I²S Audio interface
 - 192kHz sampling, TDM for up to 8 ch.
- APIX2 backward compatible
- Full-duplex communication channels for Data, Ethernet or GPIOI
 - 2x RGMII/RMII/MII interfaces with 10/100 Mbps support
 - Dual SPI data interfaces for Data Communication
 - Embedded AShell protocol data protection layer
 - 8x GPIO pins, which can be mapped to
 - 8 APFlags and 8 Soft flags per AShell in downstream direction
 - 2 APFlags and 2 Soft flags per receiver/repeater in upstream
- Diagnostic Features:
 - PRBS patter generator and checker
 - Continuous link monitoring



CONNECTIVITY FOR AUTOMOTIVE LIGHT & VISION



APPLICATION OVERVIEW



TEMPERATURE QUALITY

- -40°C to +105°C
- AEC -Q100

DESERIALIZER

- INAP562R, INAP592R
- INAP375R,
- Indigo 3 / Indigo 4 Series (Socionext)

APPLICATIONS

- Infotainment Systems
- Head Units
- Instrument Clusters
- Rear-Seat Entertainment Systems
- Multimedia Gateways



Part Number	Package	Pack Size	HDCP
INAP567TAQ-T	151 aQFN	176 / Tray	
INAP567TAQ-R2	151 aQFN	2000 / Reel	
INAP597TAQ-T	151 aQFN	176 / Tray	yes
INAP597TAQ-R2	151 aQFN	2000 / Reel	yes

CONNECTIVITY FOR AUTOMOTIVE LIGHT & VISION